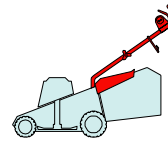


SPL

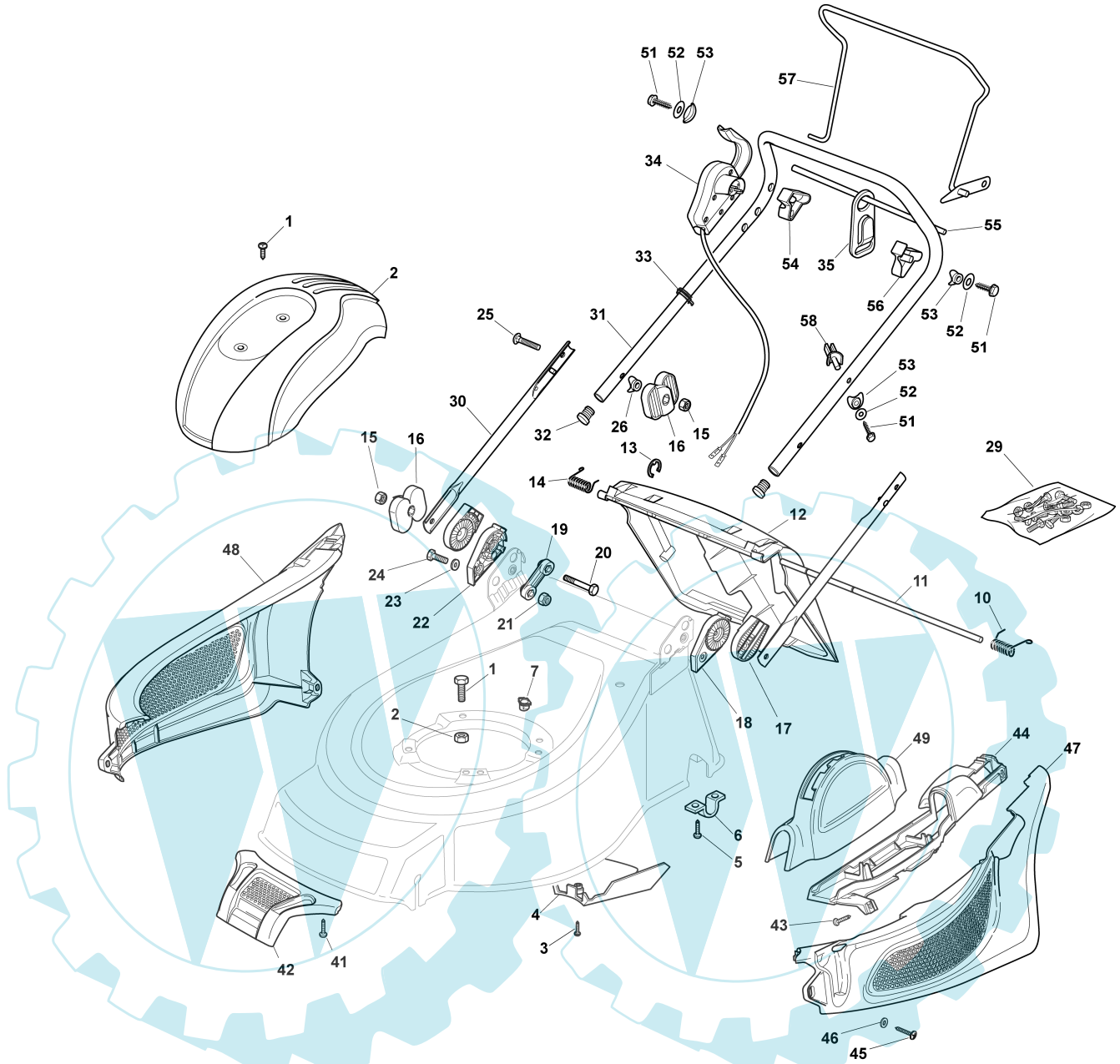
480 TR



2007

311.0

1 / 2



POS.	CODE	Q.TY	DESCRIZIONE	DESCRIPTION	DESCRIPTION	BESCHREIBUNG	REMARKS
1	12728680/0	2	VITE	SCREW	VIS	SCHRAUBE	
2	22055065/0	1	CAPOTTINA	COVER	CAPOT	HAUBE	
3	12728530/0	1	VITE	SCREW	VIS	SCHRAUBE	
4	22060192/0	1	CARTER CINGHIA	PROTECTION, BELT	PROTECTION COURROIRE	SCHUTZ, RIEMEN	
5	12731350/0	4	VITE	SCREW	VIS	SCHRAUBE	
6	22545152/0	2	PIASTRINA	PLATE	PLAQUETTE	PLÄTTCHEN	
7	22291150/0	1	INSERTO IN GOMMA	RUBBER INSERT	INSERT DE GAOUTCHOUC	GUMMI EINSATZ	
10	22450420/1	1	MOLLA SX	L SPRING	RESSORT G	LINKE FEDER	
11	22517906/1	1	PERNO	PIN	PIVOT	BOLZEN	
12	22600063/1	1	PARASASSI	STONE-GUARD	PARE-PIERRES	PRALLBLECH	
13	12000930/0	1	ANELLO ELASTICO	SNAP RING	ANNEAU RESSORT	SPRENGRING	
14	22450410/1	1	MOLLA DX	R SPRING	RESSORT D	RECHTE FEDER	
15	12293202/0	4	DADO	NUT	ECROU	MUTTER	
16	22399803/0	4	MANOPOLINA	KNOB	POIGNÉE	GRIFF	
17	22785081/1	2	SUPPORTO ESTERNO	SUPPORT, EXTERNAL	SUPPORT EXTERNE	HALTER, AUßERE	

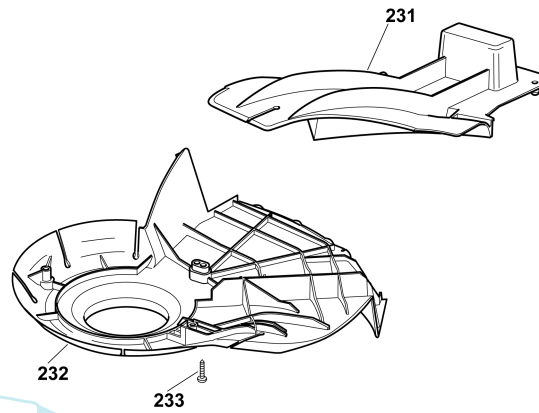
POS.	CODE	Q.TY	DESCRIZIONE	DESCRIPTION	DESCRIPTION	BESCHREIBUNG	REMARKS
18	22785083/1	1	SUPPORTO INTERNO SX	SUPPORT, L INTERNAL	SUPPORT INTERNE G	HALTER, INNERE L	
19	22551575/0	2	PIASTRINA INTERNA	PLATE, INSIDE	PLAQUETTE INTERNE	PLATTE, INNERE	
20	12691810/0	2	VITE	SCREW	VIS	SCHRAUBE	
21	12155000/0	2	DADO	NUT	ECROU	MUTTER	
22	22785082/0	1	SUPPORTO INTERNO DX	SUPPORT, R INTERNAL	SUPPORT INTERNE D	HALTER, INNERE R	
23	12521350/0	2	ROSETTA	WASHER	RONDELLE	SCHEIBE	
24	12793701/0	2	VITE	SCREW	VIS	SCHRAUBE	
25	12819125/0	2	VITE	SCREW	VIS	SCHRAUBE	
26	22680006/1	2	ROSETTA	WASHER	RONDELLE	SCHEIBE	
27	22430309/0	1	MOLLA GUIDA	GUIDE SPRING	RESSORT DE GUIDE	FEDER FÜHRER	
28	12154330/0	1	DADO	NUT	ECROU	MUTTER	
29	81008633/0	1	DOTAZIONE VITERIA	OUTFIT, SCREWS	DOTATION VISSERIE	SATZ, SCHRAUBEN	
30	81006531/0	2	MANICO, PARTE INF	HANDLE, LOWER PART	MANCHERON, PARTIE INFERIEURE	HOLM, UNTERTEIL	
31	81006604/0	1	MANICO, PARTE SUP	HANDLE, UPPER PART	MANCHERON, PARTIE SUPERIEURE	HOLM, OBERTEIL	
32	18566112/0	2	PUNTALE	CAP	BOUCHON	GUMMISTOPFEN	
33	22192000/1	2	FASCETTA	CLAMP	COLLIER	BOWDENZUGHALTER	
34	-	1	SALVAMOTORE	DEAD HAND SWITCH	INT. MAIN MORTE	TOT MANSCHALTER	((SEE ENCLOSURE 4))
35	22195101/4	1	FERMACAVO	FAIRLEAD	FIXATION CABLE	KABELBEFESTIGUNG	
41	12728693/0	2	VITE	SCREW	VIS	SCHRAUBE	
42	81390110/1	1	MASCHERINA, ROSSO	MASK, RED	MESQUE, ROUGE	MASKE, ROT	
43	12728688/0	3	VITE	SCREW	VIS	SCHRAUBE	
44	22785192/1	1	SUPPORTO CARTER ROSSO	SUPPORT, RED	SUPPORT, ROUGE	HALTER, ROT	
45	12728520/0	4	VITE	SCREW	VIS	SCHRAUBE	
46	12521330/0	4	ROSETTA	WASHER	RONDELLE	SCHEIBE	
47	22226086/1	1	PROFILO SINISTRO ROSSO	LEFT PROFIL, RED	PROFIL GAUCHE, ROUGE	LINKE PROFIL, ROT	
48	22226085/1	1	PROFILO DESTRO ROSSO	RIGHT PROFIL, RED	PROFIL DROIT, ROUGE	RECHTE PROFIL, ROT	
49	22109720/1	1	CARTER ROSSO	COVER, RED	COUVRE, RED	KAPPE, ROT	
51	12735103/0	3	VITE	SCREW	VIS	SCHRAUBE	
52	12523040/0	3	ROSETTA	WASHER	RONDELLE	SCHEIBE	
53	22680006/1	3	ROSETTA	WASHER	RONDELLE	SCHEIBE	
54	22806518/1	1	SUPPORTO DX	SUPPORT, R	SUPPORT D	HALTER, RECHTER	
55	22020320/0	1	AGGANCIAMENTO FERMACAVO	FAIRLEAD BEARING	SUPPORT SERRECABLE	KABELHALTER	
56	22806519/1	1	SUPPORTO SX	SUPPORT, L	SUPPORT G	HALTER, LINKER	
57	81001245/1	1	LEVA TRAZIONE	DRIVING LEVER	LEVIER TRACTION	ANTRIEBHABEL	
58	22806520/0	1	SUPPORTO REGISTRO	SUPPORT, ADJUSTER	SUPPORT ECROU REG.	HALTER, REGLER	

SPL**480 TR**

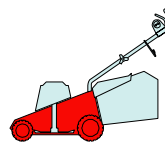
2007

311a.0

1 / 1



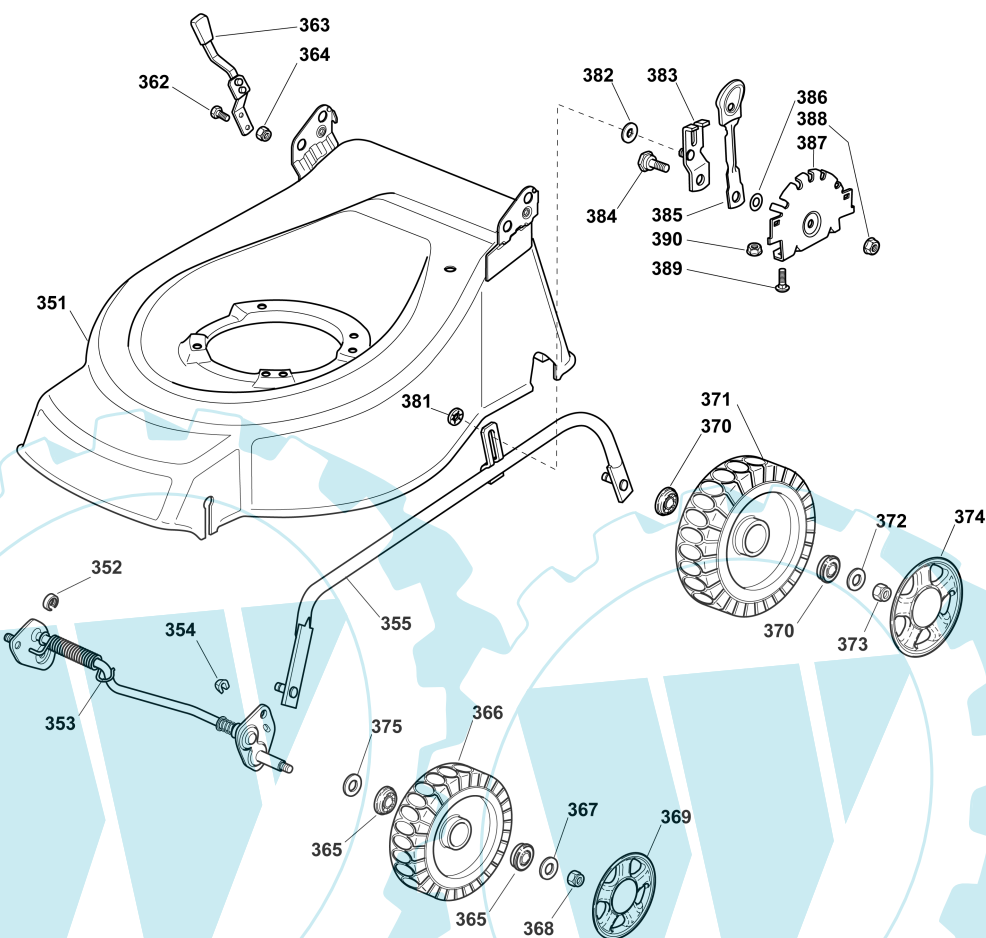
POS.	CODE	Q.TY	DESCRIZIONE	DESCRIPTION	DESCRIPTION	BESCHREIBUNG	REMARKS
231	22140223/0	1	DEFLETTORE	DEFLECTOR	DEFLECTEUR	DEFLEKTOR	
232	22060198/0	1	CARTER	PROTECTION	PROTECTION	SCHUTZ	
233	12728530/0	3	VITE	SCREW	VIS	SCHRAUBE	

SPL**480 TR**

2007

312.0

1 / 2



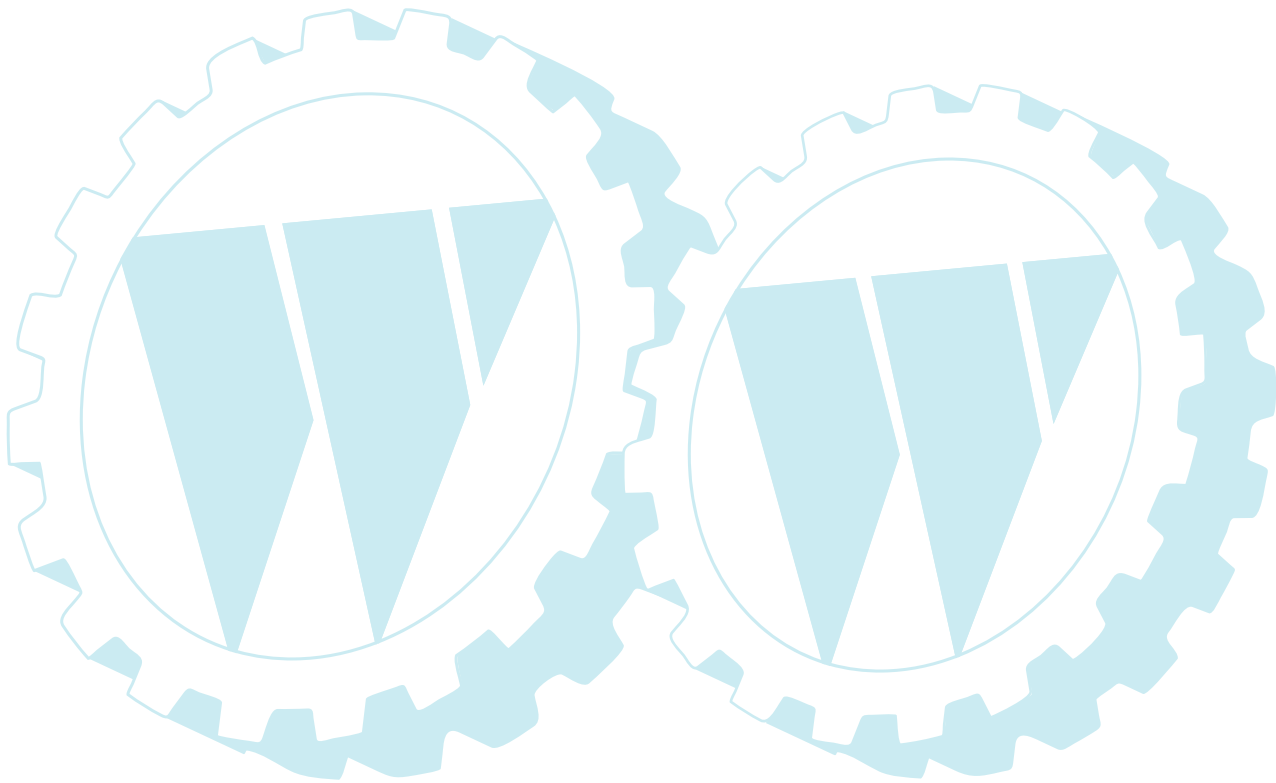
POS.	CODE	Q.TY	DESCRIZIONE	DESCRIPTION	DESCRIPTION	BESCHREIBUNG	REMARKS
351	81002781/0	1	CHASSIS GRIGIO	DECK GREY	CHÂSSIS GRIS	GEHÄUSE GRAU	
352	22171002/0	1	DISTANZIALE	SPACER	ENTRETOISE	DISTANZRING	
-	12436050/0	2	PIASTRINA	PLATE	PLAQUETTE	PLÄTTCHEN	
353	81000141/1	1	ASSE RUOTE ANTERIORI	AXLE, FRONT WHEELS	AXE ROUES AVANT	ACHSE, VORDERRAD	
355	81006491/0	1	ASTA COMANDO REGOL. ALTEZZA	ROD, HEIGHT ADJUSTMENT CONTROL	TIGE COMMANDE REGLAGE HAUTEUR	STANGE, HÖHEVERSTELLUNG	
362	12789000/0	2	VITE	SCREW	VIS	SCHRAUBE	
363	81003283/1	1	LEVA REGOLAZIONE ALTEZZA	LEVER, HEIGHT ADJUSTMENT	LEVIER REGLAGE HAUTEUR	HEBEL, HÖNEVERSTELLUNG	
364	12154320/0	2	DADO	NUT	ECROU	MUTTER	
365	22122200/0	4	CUSCINETTO	BEARING	COUSSINET	LAGER	
366	81007336/0	2	RUOTA SCOLPITA Ø 170	WHEEL, KNOBBLY Ø 170	ROUE SCULPTEE Ø 170	RAD M. STOLLENPR. Ø 170	
367	12521350/0	2	ROSETTA	WASHER	RONDELLE	SCHEIBE	
368	12155000/0	2	DADO	NUT	ECROU	MUTTER	
369	---	2	COPRIMOZZO	HUB CAP	COUVRE-MOYEU	RADKAPPE	(SEE ENCLOSURE 1)
370	22122200/0	4	CUSCINETTO	BEARING	COUSSINET	LAGER	
371	81007337/0	2	RUOTA SCOLPITA Ø 210	WHEEL, KNOBBLY Ø 210	ROUE SCULPTEE Ø 210	RAD M. STOLLENPR. Ø 210	
372	12521350/0	2	ROSETTA	WASHER	RONDELLE	SCHEIBE	
373	12155000/0	2	DADO	NUT	ECROU	MUTTER	

2007

312.0

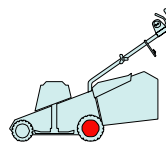
2 / 2

POS.	CODE	Q.TY	DESCRIZIONE	DESCRIPTION	DESCRIPTION	BESCHREIBUNG	REMARKS
374	---	2	COPRIMOZZO	HUB CAP	COUVRE-MOYEU	RADKAPPE	(SEE ENCLOSURE 2)
375	12530150/0	2	ROSETTA ELASTICA	SPRING WASHER	RONDELLE ELASTIQUE	ELASTISCHE SCHEIBE	
381	12604896/0	1	ANELLO ELASTICO	SNAP RING	ANNEAU RESSORT	SPRENGRING	
382	12369500/0	1	DISCO ELASTICO	ELASTIC WASHER	DISQUE ELASTIQUE	FEDERSCHEIBE	
383	81005121/0	1	PIASTRINA	PLATE	PLAQUETTE	PLÄTTCHEN	
384	22524333/0	1	PERNO	PIN	PIVOT	BOLZEN	
385	81003322/0	1	LEVA REGOLAZIONE ALTEZZA	LEVER, HEIGHT ADJUSTMENT	LEVIER REGLAGE HAUTEUR	HEBEL, HÖHEVERSTELLUNG	
386	22672152/0	1	ROSETTA	WASHER	RONDELLE	SCHEIBE	
387	22735571/1	1	SETTORE REGOLAZIONE ALTEZZA	SECTOR, HEIGHT ADJUSTMENT	SECTEUR REGLAGE HAUTEUR	SEKTOR, HÖHEVERSTELLUNG	
388	12154210/0	1	DADO	NUT	ECROU	MUTTER	
389	12815200/0	2	VITE	SCREW	VIS	SCHRAUBE	
390	12292102/0	2	DADO	NUT	ECROU	MUTTER	



SPL

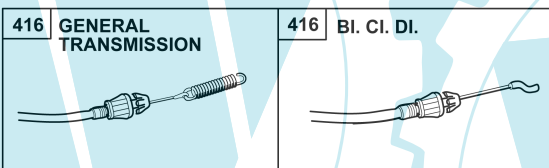
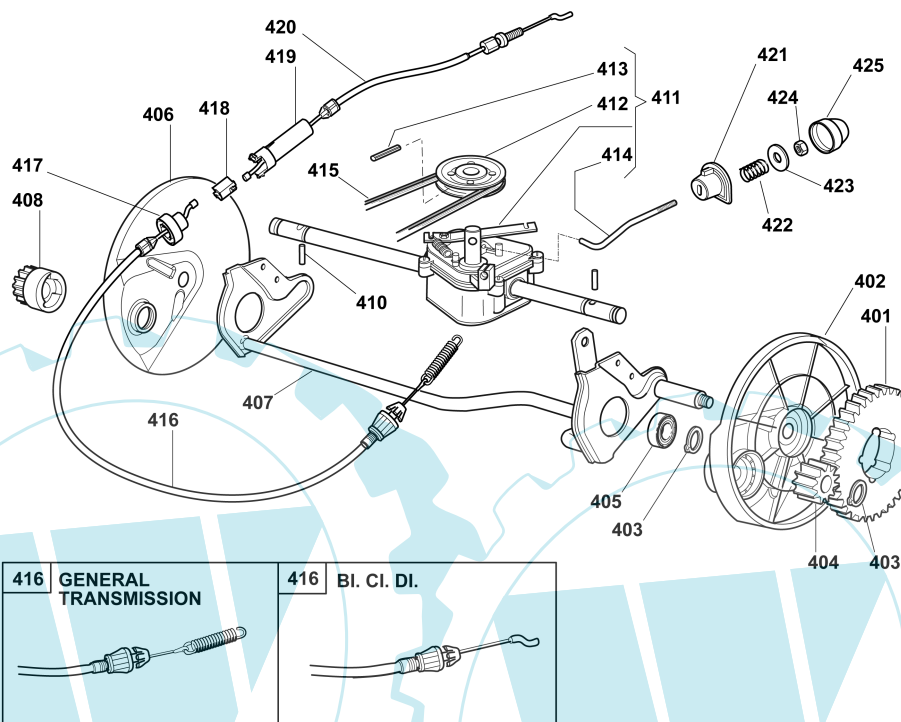
480 TR



2007

313.0

1 / 2



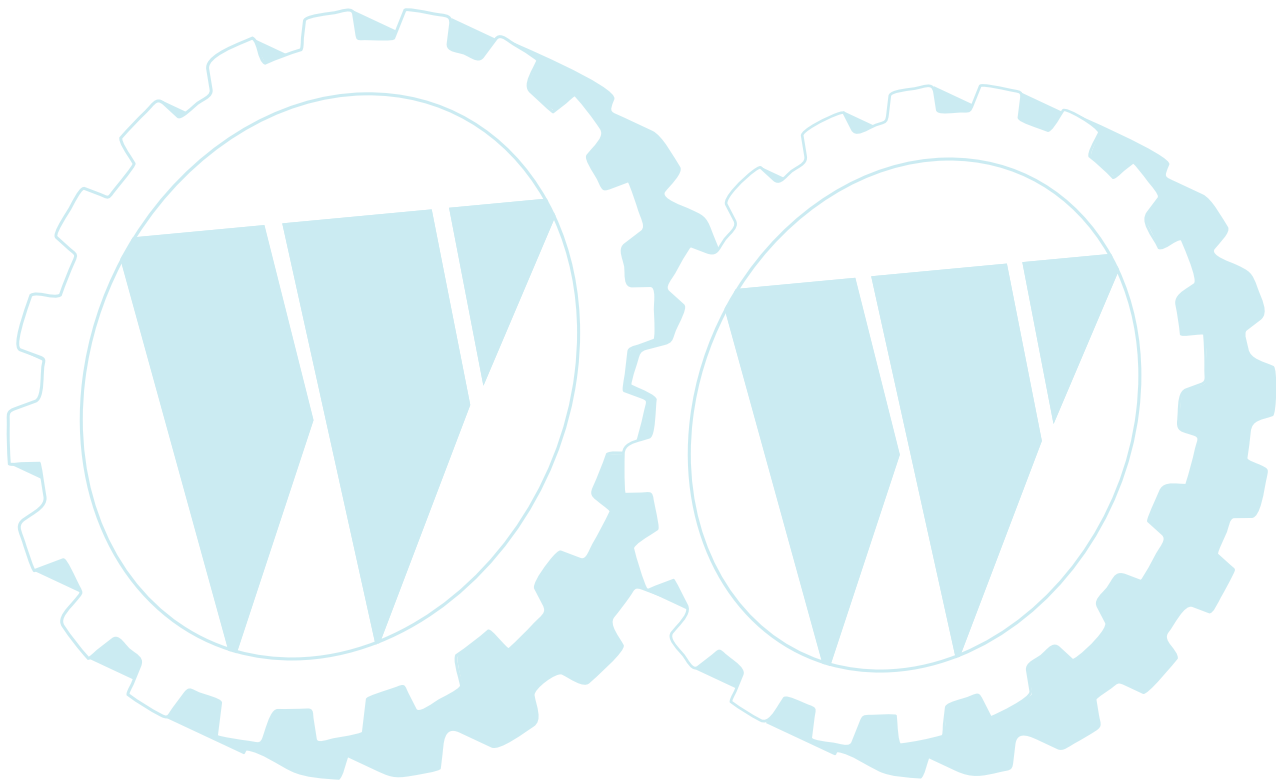
POS.	CODE	Q.TY	DESCRIZIONE	DESCRIPTION	DESCRIPTION	BESCHREIBUNG	REMARKS
401	22120105/1	2	CORONA	RING GEAR	COURONNE	KRANZ	
402	22600093/0	1	PROT. RUOTE SX	PROTECTION, L WHEEL	PROTECTION ROUE G	SCHÜTZ, LINKES RÄDER	
403	12608600/0	4	SEEGER	SEEGER	SEEGER	SEEGER	
404	22570120/1	1	PIGNONE SX	PINION L	PIGNON G	RITZEL LINKES	
405	19216035/0	2	CUSCINETTO	BEARING	COUSSINET	LAGER	
406	22600092/0	1	PROT. RUOTE DX	PROTECTION, R WHEEL	PROTECTION ROUE D	SCHÜTZ, RECHTES RÄDER	
407	81000147/0	1	ASSE RUOTE POSTERIORI	AXLE, REAR WHEELS	AXE ROUES ARRIERE	ACHSE, HINTERRAD	
408	22570110/1	1	PIGNONE DX	PINION R	PIGNON D	RITZEL RECHTES	
410	22753000/0	2	SPINA	PIN	GOUPILLE	STIFT	
411	81003081/1	1	GRUPPO TRAZIONE (GRIGIO)	GEAR BOX (GREY)	GROUPE TRACTION (GRIS)	ANTRIEB (GRAU)	(BI. CI. DI.)
-	81003076/0	1	GRUPPO TRAZIONE	GEAR BOX	GROUPE TRACTION	ANTRIEB	(GENERAL TRANSMISSION)
412	22601904/0	1	PULEGGIA	PULLEY	POULIE	RIEMENSCHIEBE	
413	12645705/0	1	SPINA	PIN	GOUPILLE	STIFT	
414	22033280/0	1	ASTA REGOLAZIONE	ADJUSTMENT ROD	TIGE REGLAGE	VERSTELLUNGSTANGE	(BI. CI. DI.)
-	22033283/0	1	ASTA REGOLAZIONE	ADJUSTMENT ROD	TIGE REGLAGE	VERSTELLUNGSTANGE	(GENERAL TRANSMISSION)
415	35063800/0	1	CINGHIA Z 27	BELT Z 27	COURROIE Z 27	RIEMEN Z 27	
416	81000676/0	1	CAVO COMANDO TRAZIONE INF	CABLE, REAR DRIVE LOWER	CÂBLE, COMMANDE TRACTION INFÉRIEURE	KABEL, ANTRIEB UNTER	(BI. CI. DI.)

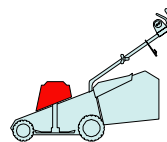
2007

313.0

2 / 2

POS.	CODE	Q.TY	DESCRIZIONE	DESCRIPTION	DESCRIPTION	BESCHREIBUNG	REMARKS
416	81000671/0	1	CAVO COMANDO TRAZIONE INF	CABLE, REAR DRIVE LOWER	CÂBLE, COMMANDE TRACTION INFERIEURE	KABEL, ANTRIEB UNTER	(GENERAL TRANSMISSION)
417	22246031/0	1	GIUNZIONE INF	LOWER JOINT	CONNECTION INF	VERBINDUNG OBEN	
418	22042040/0	1	BUSSOLA ISOLAMENTO	ISOLATION COMPASS	BOUSSOLE DE ISOLEMENT	ABSONDERUNG KOMPAS	
419	22246030/0	1	GIUNZIONE SUP	UPPER JOINT	CONNECTION SUP	VERBINDUNG UNTER	
420	81001150/0	1	CAVO COMANDO TRAZIONE SUP	CABLE, REAR DRIVE UPPER	CÂBLE, COMMANDE TRACTION SUPERIEURE	KABEL, ANTRIEB OBER	
421	22041957/1	1	BUSSOLA	BUSH	DOUILLE	BUCHSE	
422	22450063/0	1	MOLLA	SPRING	RESSORT	FEDER	
423	22680009/0	1	ROSETTA	WASHER	RONDELLE	SCHEIBE	
424	12154510/0	1	DADO	NUT	ECROU	MUTTER	
425	22110230/0	1	TAPPO	CAP	BOUCHON	GUMMISTOPFEN	

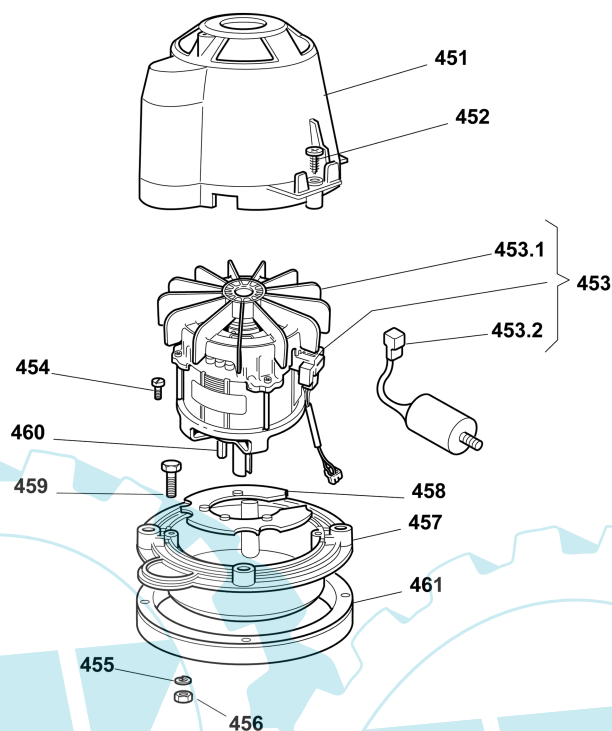


SPL**480 TR**

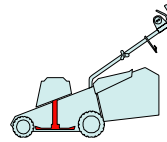
2007

314.0

1 / 1



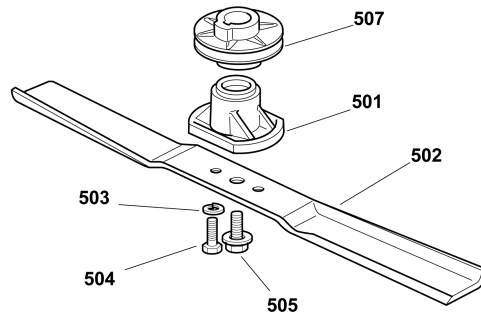
POS.	CODE	Q.TY	DESCRIZIONE	DESCRIPTION	DESCRIPTION	BESCHREIBUNG	REMARKS
451	22785210/0	1	SUPPORTO CAPOTTINA	SUPPORT, COVER	SUPPORT CAPOT	HALTER, HAUBE	
452	12728710/0	4	VITE	SCREW	VIS	SCHRAUBE	
453	18222039/0	1	CONDENSATORE 25 µF	CONDENSER 25 µF	CONDENSEUR 25 µF	KONDENSATOR 25 µF	(ATB)
453.1	18563641/0	1	MOTORE ATB	MOTOR ATB	MOTEUR ATB	MOTOR ATB	230V (1800W)
453.2	18740054/0	1	VENTOLA PER MOTORE ATB	FAN MOTOR ATB	VENTILATEUR MOTEUR ATB	LÜFTER MOTOR ATB	
454	12735410/0	4	VITE	SCREW	VIS	SCHRAUBE	
455	12583500/0	4	GROWER	GROWER	GROWER	FEDERRING	
456	12293200/0	4	DADO	NUT	ECROU	MUTTER	
457	22207211/3	1	FLANGIA	FLANGE	BRIDE	FLANSCH	
458	22720360/1	1	SCHERMO VENTILAZIONE	VENTILATION SCREEN	ECRAN VENTILATION	LÜFTUNGSSCHIRM	
459	12691800/0	4	VITE	SCREW	VIS	SCHRAUBE	
460	12139440/0	1	LINGUETTA	FEATHER	CLAVETTE	KEIL	
461	22170960/1	1	DISTANZIALE	SPACER	ENTRETOISE	DISTANZRING	

SPL**480 TR**

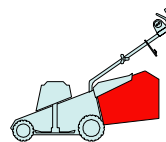
2007

315.0

1 / 1



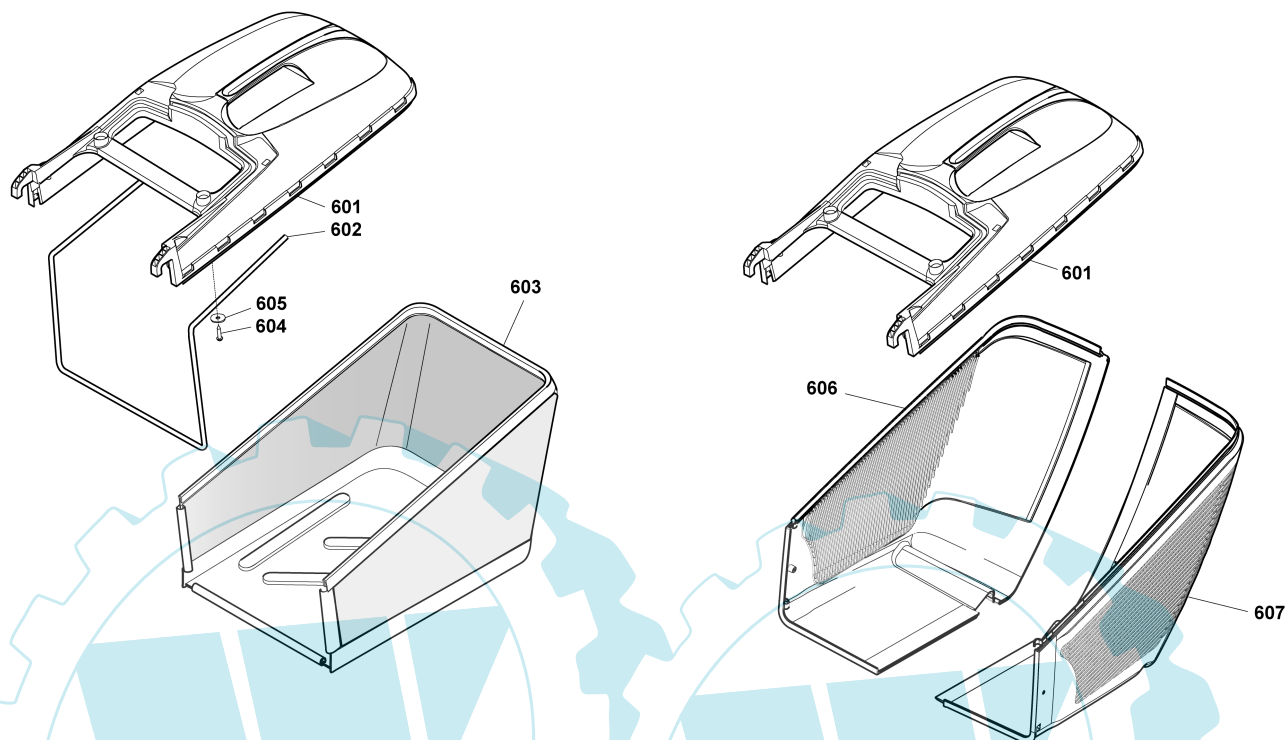
POS.	CODE	Q.TY	DESCRIZIONE	DESCRIPTION	DESCRIPTION	BESCHREIBUNG	REMARKS
501	22463186/2	1	MOZZO	HUB	MOYEU	HALTER	
502	81004346/3	1	COLTELLO STANDARD	BLADE STANDARD	LAME STANDARD	MESSER STANDARD	
503	12583500/0	2	GROWER	GROWER	GROWER	FEDERRING	
504	12793101/0	2	VITE	SCREW	VIS	SCHRAUBE	
505	81004352/0	1	VITE	SCREW	VIS	SCHRAUBE	
506	12713801/0	1	GRANO	DOWEL	GRAIN	STIFT	
507	22601911/1	1	PULEGGIA	PULLEY	POULIE	RIEMENSCHIBE	

SPL**480 TR**

2007

316.0

1 / 1



POS.	CODE	Q.TY	DESCRIZIONE	DESCRIPTION	DESCRIPTION	BESCHREIBUNG	REMARKS
601	22486101/0	1	SACCO, PARTE SUP	GRASS-BOX, UPPER PART	SAC, PARTIE SUPERIEURE	KORB, OBERTEIL	
602	22608525/0	1	RINFORZO INF	STIFFENING LOWER	RÉNFORCEMENT INF	VERSTÄRKUNG UNTERE	
603	81002211/0	1	SACCO, TELA	BOX, FABRIC	SAC, TOILE	SACK, TUCK	
604	12728680/0	2	VITE	SCREW	VIS	SCHRAUBE	
605	12523050/0	2	ROSETTA	WASHER	RONDELLE	SCHEIBE	
606	22486150/0	1	SACCO, PARTE INF DX	GRASS-BOX, R LOWER	SAC, PARTIE INFÉRIEURE D	KORB, R UNTERTEIL	
607	22486151/0	1	SACCO, PARTE INF SX	GRASS-BOX, L LOWER	SAC, PARTIE INFÉRIEURE G	KORB, L UNTERTEIL	